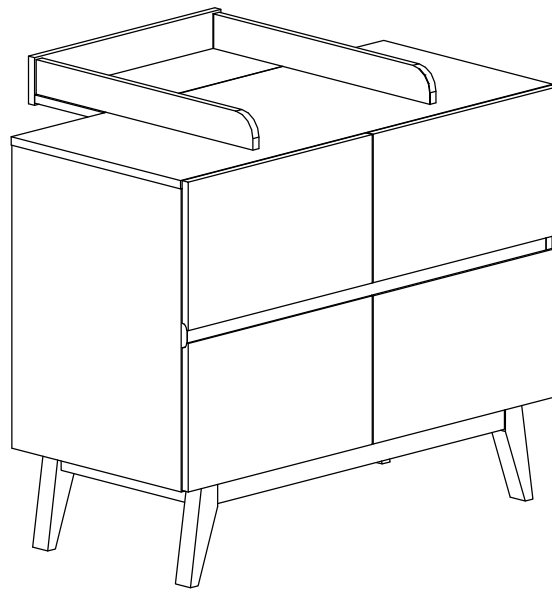
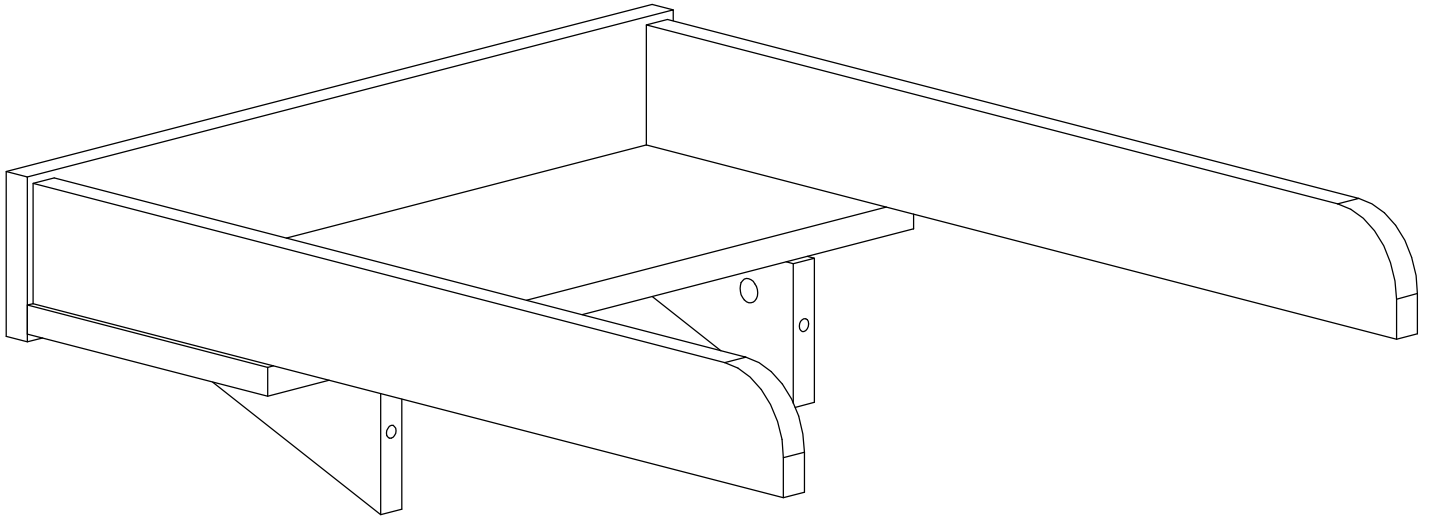
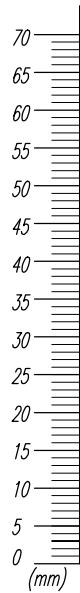
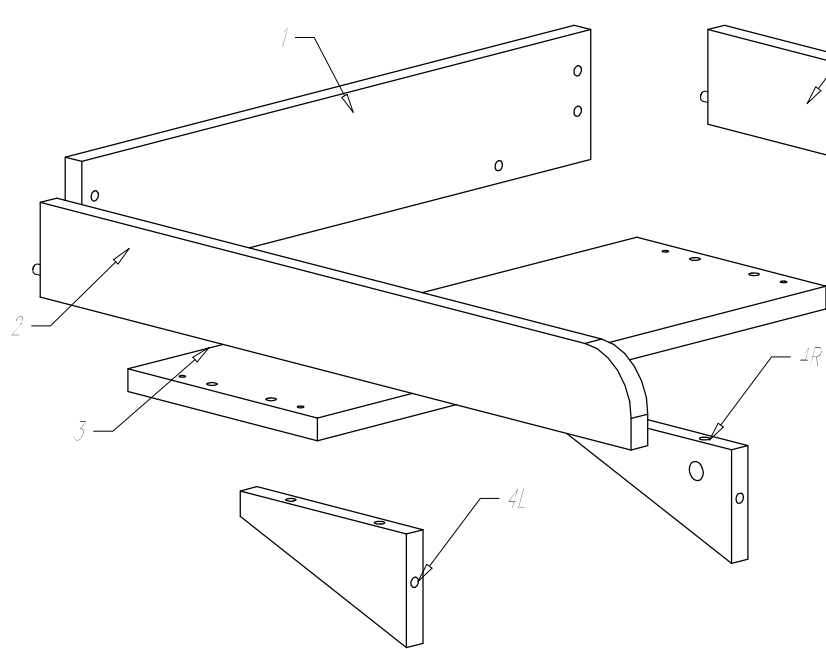
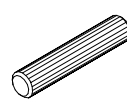






TRENDY EXTENSION





<p>A</p>  <p>$\varnothing 7,8 \times 32$ x6</p>	<p>B</p>  <p>L-34/ST x2</p>	<p>C</p>  <p>$\varnothing 15 \times 18$ x2</p>	<p>D</p>  <p>M6x35 x10</p>	<p>E</p>  <p>SW4 x1</p>
--	---	---	--	---

TRENDY EXTENSION

